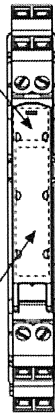


Specifications

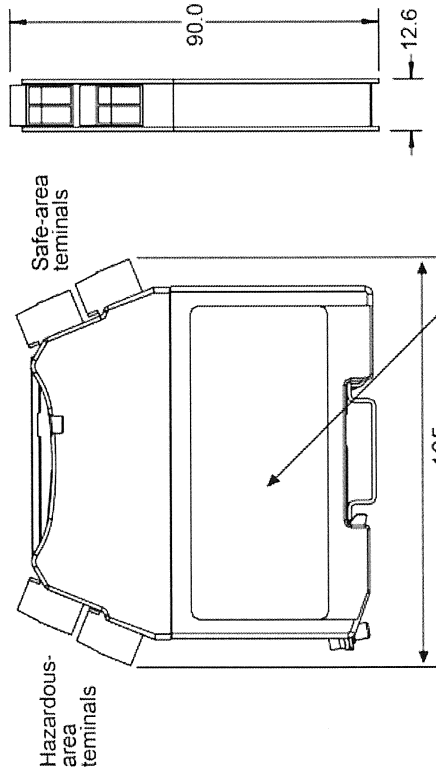
MTL Model NO.	Safety Description		Polarities Available		Typical Applications	Basic Circuit		Max. end-to-end resistance Ω	Vwkg at $1 \mu A$ V	Vmax V	Fuse rating mA	Remarks
	V	Ω	mA	+		-	Hazardous					
7707P+	28	164	171	+	Transmitters Contorller outputs, Switches	Hazardous	Safe		10 to 35	10 to 35	50	
	28	diode	-	L								

Dimensions in mm

Product top label



Colour-coded top label



Installation and approval side label

Common Specification

Ambient temperature and humidity limits
 Ambient temperature and humidity limits
 -20°C~+60°C continuous working
 -40°C~+80°C strage
 5~95% RH

Working voltage
 0.6V : Leakage current is 10 μA

Terminations

Removable terminals accommodate conductors up to 2.5mm² (13AWG), Hazardous-area terminals are identified by blue labels. Removal force >15N

Colour coding of barrier label

Grey: Non-polarised
 Red : positive polarity
 Black : negative polarity

Weight

140g apporox

Certificate No. (BASEEFA)

BAS01ATEX7217

REV.	PROJECT NAME:		Cooper Industries Japan K.K. Tokyo, Japan		Title		MTL7707P+ Specification	
REV.	USER NAME :		TEL: +81-(0)3-6434-7890 FAX: +81-(0)3-6434-7871		SIZE	FSCM NO	Drawing No.	rev
REV.	JOB NAME :		DATE: 2017/7/4		SCALE		SS-MTL7707P+(E)	
Ref no. :			T.I	N/A	SHEET		1 / 1	