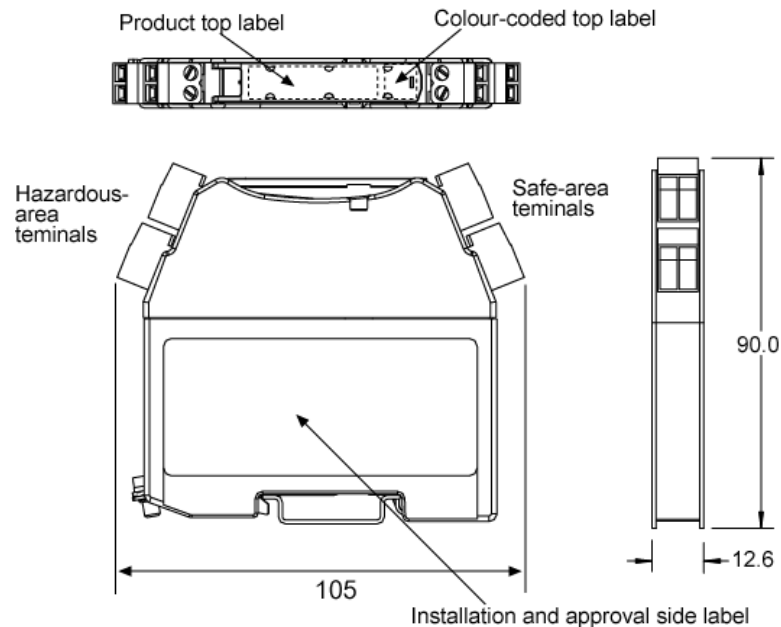


Specifications

| MTL Model NO. | Safety Description | | | Polarities Available | | | Typical Applications | Basic Circuit | | Max. end-To-end resistance Ω | Vwkg at $1\mu A$ V | Vmax V | Fuse rating mA | Remarks |
|---------------|--------------------|----------|-----|----------------------|---|----|-------------------------------------|---------------|------|-------------------------------------|--------------------|--------|----------------|---------|
| | V | Ω | mA | + | - | ac | | Hazardous | Safe | | | | | |
| 7728P+ | 28 | 234 | 119 | ⌋ | | | Controller outputs, solenoid valves | | 252 | 24.9 | 25.9 | 100 | | |

Dimensions in mm



Common Specification

Ambient temperature and humidity limits

Ambient temperature and humidity limits

-20°C~+60°C continuous working

-40°C~+80°C storage

5~95% RH

Working voltage

0.6V : Leakage current is $10\mu A$

Terminations

Removable terminals accommodate conductors up to 2.5mm² (13AWG), Hazardous-area terminals are identified by blue labels. Removal force >15N

Colour coding of barrier label

Grey : Non-polarised

Red : positive polarity

Black : negative polarity

Weight

140g approx

Certificate No. (BASEEFA)

BAS01ATEX7217

| | | | | | | |
|------|---------------|---|-------|-----------|-------------------------|-----------------------|
| REV. | PROJECT NAME: | Cooper Industries Japan K.K. Tokyo, Japan TEL: +81-(0)3-6430-3128 FAX: +81-(0)3-6430-3129 | Title | | MTL7729P+ Specification | |
| REV. | USER NAME : | | SIZE | FSCM NO | Drawing No. | rev |
| REV. | JOB NAME : | | DATE: | 2009/9/29 | | SS-MTL7729P+(E) |
| | Ref no.: | CHKD | K.T | DRAWN | I.S | SCALE N/A SHEET 1 / 1 |