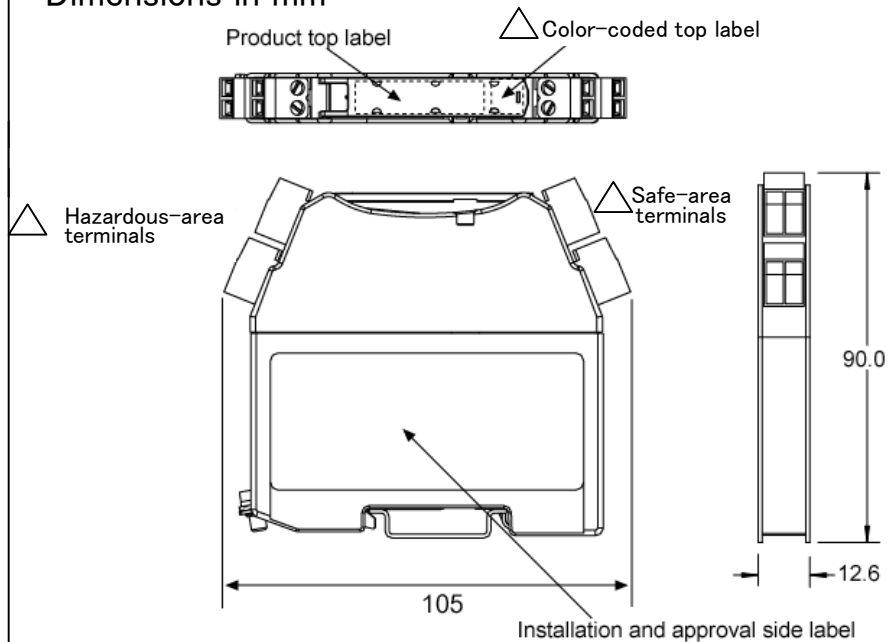


Specifications

MTL Model NO.	Safety Description			Polarities Available			Typical Applications	Basic Circuit		Max. end-To-end resistance Ω	Vwkg at $1\mu A$ V	Vmax V	Fuse rating mA	Remarks
	V	Ω	mA	+	-	ac		Hazardous	Safe					
7778ac	28	600	47			↙	Active dc & ac sensors Thermocouples		651	24.0	25.4	50		

Dimensions in mm



Common Specification

Ambient temperature and humidity limits

Ambient temperature and humidity limits

-20°C~+60°C continuous working

-40°C~+80°C storage

5~95% RH

Working voltage

24.0V : Leakage current is $10\mu A$

Terminations

Removable terminals accommodate conductors up to 2.5mm² (13AWG), Hazardous-area terminals are identified by blue labels. Removal force >15N

Color coding of barrier label

Gray: Non-polarised

Weight

140g approximately

Certificate No. (BASEEFA)

BAS01ATEX7217

REV.	PROJECT NAME:	Cooper Industries Japan K.K.	Title			
		Tokyo, Japan	MTL7778ac Specification			
REV.	USER NAME :	TEL: +81-(0)3-6430-3128	SIZE	FSCM NO	Drawing No.	rev
		FAX: +81-(0)3-6430-3129			SS-MTL7778ac(E)	A
REV.	JOB NAME :	DATE: 2009/9/29				
Rev.A Revised 2012/11/15	Ref no.:	CHKD K.T DRAWN I.S	SCALE	N/A	SHEET	1 / 1
Checked K.K. Drawn M.N						